

# RMX®

## MEDIUM DUTY COMMERCIAL OPERATOR



INTELLIGENT DISPLAY.  
ROBUST FEATURES.  
EASE OF OPERATION.

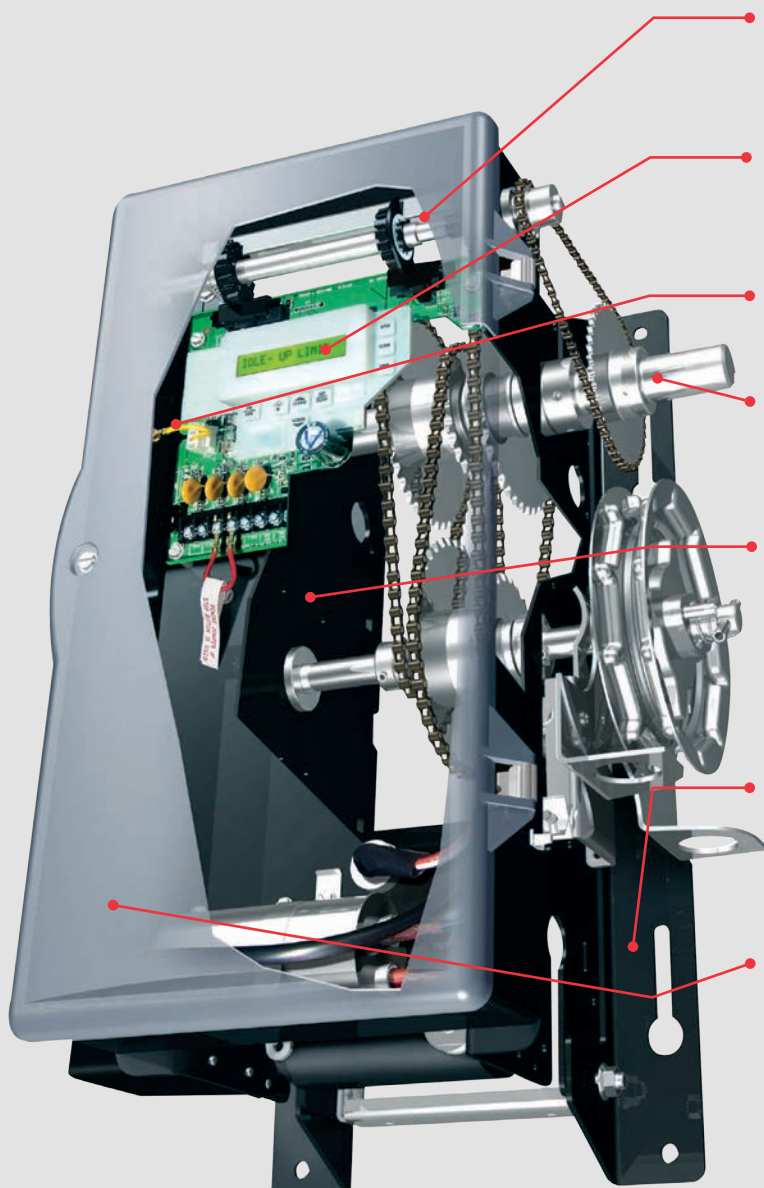


INDUSTRY LEADING  
COMMERCIAL & INDUSTRIAL SOLUTIONS

---

**Standard features at a glance**

---



**Optical limit system** enhances functionality, maximizes performance and easily establishes range of travel and stops by utilizing an optical limit system

**16-character LCD display** simplifies installation and troubleshooting. Intelligent menu structure and expanded self-diagnostics.

**Radio Controls** optional 315/390 MHz internal radio cord or available port for external radio control.

**Anti-corrosion protection shaft** ensures long life and durable performance of all high-wear operational components.

**Automatic set-up boards with socket-lock protection** prevents accidental wiring errors through plug and play technology.

**SuperBelt®** automatically adjusts itself to the correct tension

**Mounting feet pre-assembly** allows fast, easy installation by minimizing assembly steps and maximizing installation flexibility. Easy-access lock down holes designed for hassle-free mounting and tightening.

**Easy-to-remove cover** made of durable plastic, dismounts for easy installation and service.

**UL325 2010 compliant**

This standard requires the addition of monitored external entrapment devices prior to the operator working in momentary contact in the close direction.

# MEDIUM DUTY COMMERCIAL OPERATOR

## Rolling Steel Door square foot limits

Model	HP	UL listed	Rolling Steel Doors													
			600		610/620						625				627	
			24 ga.	24 ga.†	22 ga.	20 ga.	18 ga.	18 ga.** Alum.	16 ga. Alum.	14 ga. Alum.	24 ga.	22 ga.	20 ga.	18 ga.	24 ga.	22 ga.
Maximum door square footage																
RMX®	1/2	Yes	256*	235	203	177	135	360	300	240	125	106	90	75	96	80

Model	HP	UL listed	FireKing®		Rolling Fire Doors/Fire Shutters				Counter	Grilles		
			635		630/631/634				640/641	650/651/652	670	671
			24 ga.	22 ga.	24 ga.	22 ga.	20 ga.	18 ga.	22 ga.	22 ga./Alum.	Alum.	Steel
Maximum door square footage												
RMX®	1/2	Yes	N/A	N/A	N/A	N/A	N/A	N/A	N/A	All*	350	210

Note: Door chart represents maximum door height of 16 ft.  
 \* Operator must be wall mounted. Wall mount kit #111011.0001.S  
 \*\*C-187 slat only.  
 † Maximum door size on 24 ga. Models 610/620 is 15.4 ft. x 15.4 ft.

## Sectional Steel Door square foot limits




Model	HP	UL listed	Mounting type	Max. door weight (lbs)	Commercial steel insulated & non-insulated								
					416	418	420	422	424	426	430	432	470
					16 ga. Flush Steel	16 ga. Flush Steel Insulated	20 ga. Ribbed Steel	20 ga. Ribbed Steel Insulated	24 ga. Ribbed Steel	24 ga. Ribbed Steel Insulated	Nominal 24 ga. Ribbed Steel	Nominal 24 ga. Ribbed Steel Insulated	Styrene Steel-back Insulated
Maximum door square footage													
RMX®	1/2	Yes	TS	620	160	124	250	174	275	200	294	278	281

Model	HP	UL listed	Mounting type	Max. door weight (lbs)	Thermacore®								Aluminum	
					591	592	593	594	596	598	599	850	511	521
					Ribbed Steel 1-5/8"	Ribbed Steel 2"	Ribbed Steel 1-3/8"	Raised Steel 1-3/8"	20 ga. Flush Steel	Ribbed Steel 1"	Flush Steel 2"	20 ga. Flush Steel		
Maximum square footage														
RMX®	1/2	Yes	TS	620	262	262	262	292	200	200	262	200	200	230

Note: Trolley door speed: 11.5 inches per second  
 Total door weight, and not the square footage, is the critical factor in selecting the proper opener. Square footages are based on "square" doors. (Example: 16 ft. x 16 ft.)  
 Door chart represents maximum door height of 14 ft.  
 Doors that require special wind loading and wide doors normally require increased strutting (reinforcement). Strutting doors can significantly increase door weight beyond maximum weight shown. Consult factory personnel in these situations.



## Optional accessories

Accessory	Description
<p>Transmitters</p> 	<p>The RMX® operator allows the addition of an on-board receiver that can store up to 250 transmitters, giving the customer the ability to identify which transmitters have been operating the door. Radio transmitters may be single-button, two-button, three-button, four-button, or Open-Close-Stop. They are easily programmed or erased using the LCD display. The patented CodeDodger® technology automatically cycles between 315 and 390 MHz with the touch of a button.</p>
<p>Auxiliary modules</p> 	<ul style="list-style-type: none"> <li>• <b>Timer to Close Module</b> – provides auxiliary control inputs, auxiliary safety inputs auxiliary timer hold input, and an automatic door closing feature with a user-selectable time delay. Safety inputs can be enabled or disabled using the on board keypad. A monitored safety device must be used with timer to close feature module.</li> <li>• <b>Auxiliary Output Module</b> – this plug-in module provides several auxiliary sets of dry contacts. Outputs can be configured using the on-board keypad for monitoring door status.</li> </ul>
<p>Sensing devices</p> 	<ul style="list-style-type: none"> <li>• <b>Bottom Sensing Edge</b> – stops and reverses the door upon contact with an obstruction.</li> <li>• <b>Safe-T-Beam®</b> – senses an obstruction and signals the operator to stop or reverse the door.</li> </ul>
<p>Egress lever</p>	<p>Rolling grilles and doors can be quickly released from the floor with the addition of an optional flush-mounted egress lever.</p>

---

## RMX® advantages

---

### Mounting

A wide variety of mounting options are available to fit any application including:

**Sectional Doors:** Trolley for use on standard doors up to 14' high and 620 lbs.

Jackshaft models available with and without hoist for use with rolling steel doors or grilles up to 16' high and 620 lbs.

**Rolling Steel Doors:** Jackshaft models available with and without hoist for use with rolling steel doors or grilles up to 16' high and 580 lbs.

### Motor

Single-phase voltages of 115 Volts AC and 230 Volts AC ½ horsepower.

### Internal radio hookups

Internal terminals are provided to allow an optional 3-wire radio system to be connected.

### Drive reduction

Primary reduction is SuperBelt®, an auto tension poly-V flex belt that does not require adjustment. Secondary reduction is by chain and sprocket.

### Direct coupling

Provides fast, easy installation with fewer parts and better structural support. Prevents chain slacking. Available on sectional side mount jackshaft and hoist units.

### Mechanical brake system

Solenoid actuated band brake.

### Display

16-character LCD display provides easy to read set-up and diagnostics with backlight for low-light conditions.

### Cycle counter

LCD clearly indicates the exact number of cycles logged for easy maintenance support.

### Adjustable shaft

Output shaft can be moved from one side to the other, providing flexible installation options.

### Control system

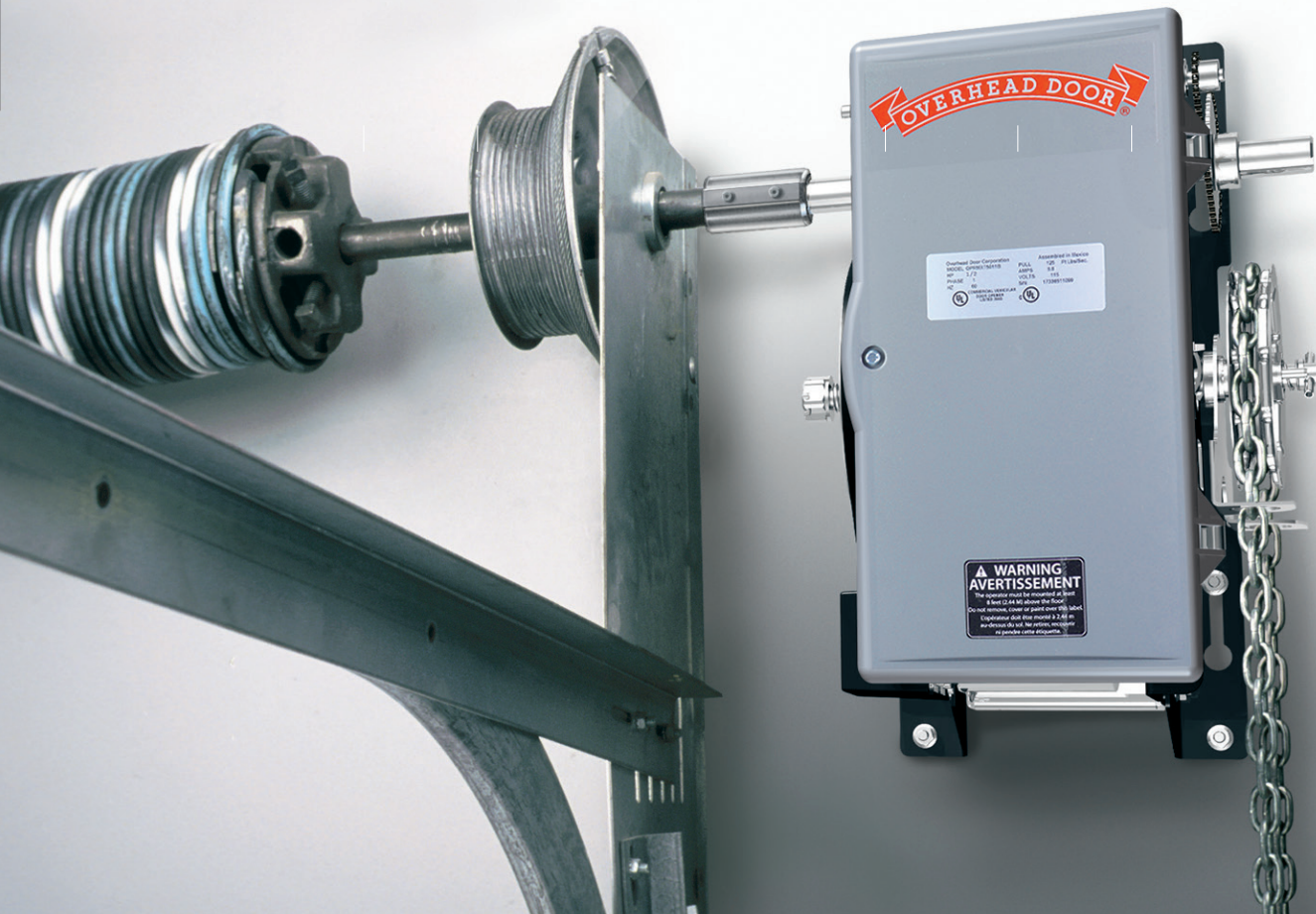
On-board control set-up enables easy installation through simple, intuitive user interface and menu-driven commands.

On-board open/close/stop buttons make set-up and testing simple, saving time during installation.

### Limited Warranty

RMX® operator features a 2-year or 20,000 cycle limited warranty. See installation manual for complete limitations and details.





## The original, innovative choice for unequalled quality and service.

Overhead Door Corporation pioneered the upward-acting door industry, inventing the first upward-acting door in 1921 and the first electric door operator in 1926. Today, we continue to be the industry leader through the strength of our product innovation, superior craftsmanship and outstanding customer support, underscoring a legacy of quality, expertise and integrity. That's why design and construction professionals specify Overhead Door™ products more often than any other brand. Our family of over 400 Overhead Door™ Distributors across the U.S. and Canada not only share our name and logo, but also our commitment to excellence.



INDUSTRY LEADING  
COMMERCIAL & INDUSTRIAL SOLUTIONS