



LIGHT DUTY COMMERCIAL COUNTER DOOR AND COUNTER FIRE DOOR OPERATOR



LIGHT DUTY OPERATOR USED IN FACTORIES, SCHOOLS, CONCESSIONS, HOSPITALS, CAFETERIAS AND RETAIL SETTINGS

Mounting

Front of hood (chain/sprocket coupling to door).

Motor

1/2 HP, 115 Volt AC single phase motor with high start torque, intermittent-duty, NEMA 42 frame open drip-proof construction, instant reversing with automatic reset thermal overload.

Drive reduction

Helical gear primary reduction and hardened bevel gear secondary reduction.

Power train

Oil impregnated bushing to ensure long life.

Cycles per hour

5 cycles per hour at rated load of 70 ft-lbs/sec.

Limit system

LimitLock® easy set limits remain synchronized with door during release operation.

Display

16-character LCD provides easy to read set-up and diagnostics with backlight for low-light conditions.

Cycle counter

Displays total cycles logged over the operator's lifetime to support warranty and service functions.

Independent timers

Automatic maximum run timer stops the close function if dynamically set door run time is exceeded.

Control system

On-board open/close/stop buttons make set-up and testing simple, saving time during installation.

Control buttons

Calibration mode/Run mode, Backlight, Scroll Up/Down, Set/Clear.

Two year/20,000 cycle limited warranty

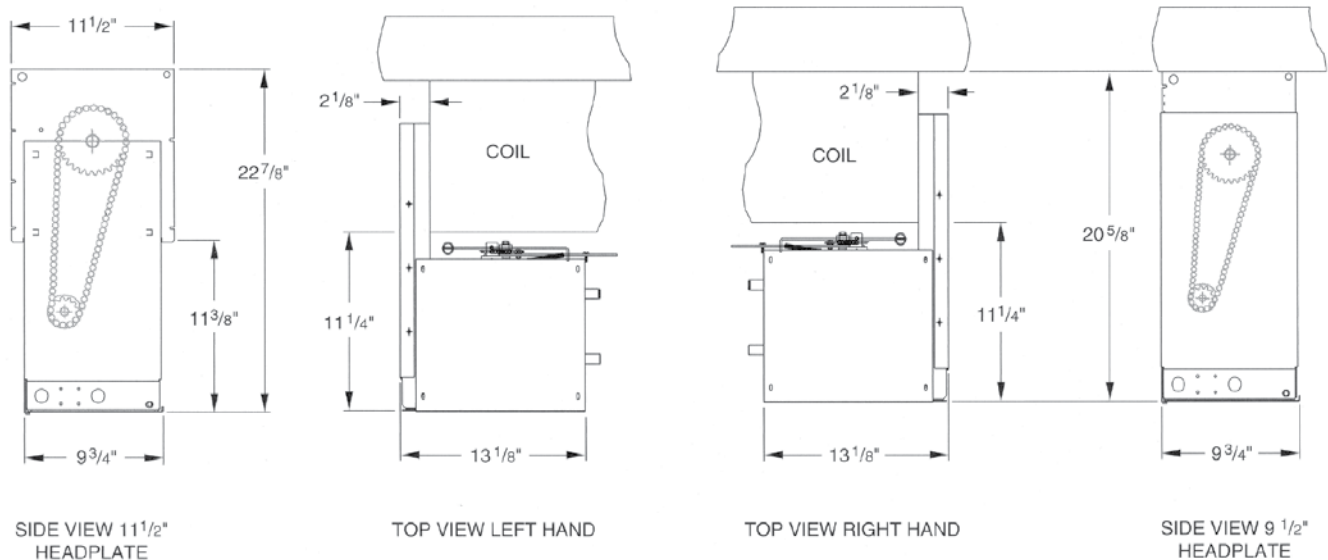


INDUSTRY LEADING
COMMERCIAL & INDUSTRIAL SOLUTIONS

Optional accessories

Accessory	Description
Radio hookups	Option available for fast, simple radio receiver connectivity to enable remote door operation.
Hand crank	Option on Counter Fire Door only. Centrifugal drum type governor built into operator to control drop speed during a manual fire door release.
Release	Option available on Counter Fire Door only. Spring-loaded for automatic release of door by optional fuse link, Fire Sentinel™ or similar fire detection and release device.
Auxiliary output modules	This plug-in module will provide several auxiliary sets of dry contacts for status of door operation and position. Outputs can be configured using the on-board keypad.
Safety accessories	Additional safety options include Fire Sentinel™ time delay release device, photoelectric or ionization-type smoke detectors (with or without heat detector) as well as solid-state horn, strobe or voice annunciators.
To maintain compliance when using a sensing edge as a primary safety device with our X-series commercial operators labeled UL 325 2010, you must use one of following modules:	
Timer to close module	Provides auxiliary control inputs, auxiliary safety inputs auxiliary timer hold input, and an automatic door closing feature with a user-selectable time delay. Safety inputs can be enabled or disabled using the on-board keypad. A monitored DC/T3 type safety edge must be used with this module. Not available on Counter Fire doors.
Monitored edge interface module	Provides an interface between two-wire monitored sensing edges and our X-series Operators. This module allows for the connection of a two-wire monitored sensing edge to be connected to the ODC DTB terminals. Compatible for use on Miller Edge electronic two-wire monitored edges modules ME and MT.
Wireless edge interface module	Provides a wireless interface between two wire monitored sensing edges and our X-Series Operators. The wireless transmitter mounts to the door and connects to a DC/T3 type safety edge. The receiver connects to the X-Series operator ODC-STB terminals.

Front-of-hood mount



INDUSTRY LEADING
COMMERCIAL & INDUSTRIAL SOLUTIONS