



Overhead Door Co. of South Central Texas

www.ess-group.com

979-421-9315 – Phone

979-277-0108 – Fax

Submittal for:

Victoria Fire Station #6

Sections:

08360-Overhead Sectional Doors

08330-Overhead Coiling Doors

Submitted to:

Lauger Construction

Date:

November 11, 2014

Sectional Doors

The Genuine. The Original.



SECTION 08360

PART 1 PRODUCTS

1.1 MANUFACTURERS

- A. Manufacturer: Overhead Door Corporation, which is located at: 2501 S. State Highway 121 Bus. Suite 200 ; Lewisville, TX 75067; Toll Free Tel: 800-929-3667; Tel: 469-549-7100; Fax: 972-906-1499; Email:[request info \(ali_isham@overheaddoor.com\)](mailto:request info (ali_isham@overheaddoor.com)); Web:www.overheaddoor.com

- B. Glazed Sectional Overhead Doors: 511 Series Aluminum Doors by Overhead Door Corporation. Units shall have the following characteristics:
 - 1. Door Assembly: Stile and rail assembly secured with 1/4 inch (6 mm).diameter through rods.

- C. Glazed Sectional Overhead Doors: 521 Series Aluminum Doors by Overhead Door Corporation.
 - 1. Door Assembly: Stile and rail assembly secured with 1/4 inch (6 mm) diameter through rods.
 - a. Panel Thickness: 1-3/4 inches (44 mm).
 - b. Center Stile Width: 2-11/16 inches (68 mm)
 - c. End Stile Width: 3-5/16 inches (84 mm)
 - d. Intermediate Rail Pair Width: 3-11/16 inches (94 mm).
 - e. Top Rail Width:
 - 1) 3-3/4 inches (95 mm).
 - f. Bottom Rail Width:
 - 1) 3-3/4 inches (95 mm).
 - g. Aluminum Panels: 0.050 inch (1.3 mm) thick, aluminum.
 - h. Stiles and Rails: 6063 - T6 aluminum.
 - i. Springs:
 - 1) 50,000 cycles.
 - j. Glazing:
 - 1) 1/4 inch (6 mm) Low E tempered glazing.
 - 2. Finish and Color:
 - a. Anodized Finish: Clear anodized.
 - 3. Hardware: Galvanized steel hinges and fixtures. Ball bearing rollers with hardened steel races.
 - a. Stop bottom fixtures
 - b. Posi-tension drums
 - c. Compression bumpers
 - 4. Weatherstripping:
 - a. Flexible Jamb seals.
 - b. Flexible Header seal.
 - 5. Track: 3" continuous angle

STANDARD SPECIFICATIONS

WORK INCLUDED
The doors will be Series 521 as manufactured by Overhead Door Corporation.

RELATED WORK
Opening preparation, miscellaneous or structural metal work, access panels, finish or field painting, field electrical wiring, wire, conduit, fuses and disconnect switches are in the Scope of Work of other divisions or trades.

SECTIONS
Sections will be comprised of 204R1 clear anodized rolls and stiles extruded from 6063-T6 aluminum to produce a door thickness of 1-3/4". Center stiles will be 2-5/8". End stiles will be 3-1/2". Top roll will be 3-3/4". Intermediate rails will be 3-3/4" per pair. Bottom roll will be 3-3/4". All stiles and rolls will be secured with 1/4" diameter through rods.

TRACK
Track is 3" standard and angle mounted.

HARDWARE
Hinges and fixtures will be galvanized steel. Full-floating ball-bearing rollers will have hardened steel races. Roller sizes will be adequate for design requirements and limitations.

WEATHERSTRIP
Bottom weatherstrip will be flexible PVC.

GLASS
Glass sections will be glazed with 1/4" tempered low E glass, to be held in place with rigid aluminum moulding and backed with butyl tape.

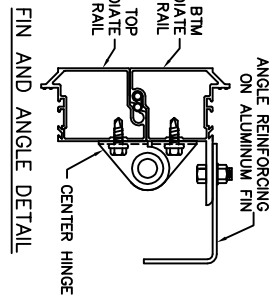
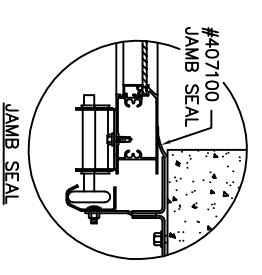
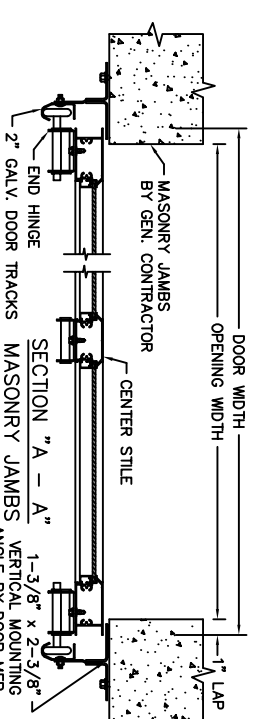
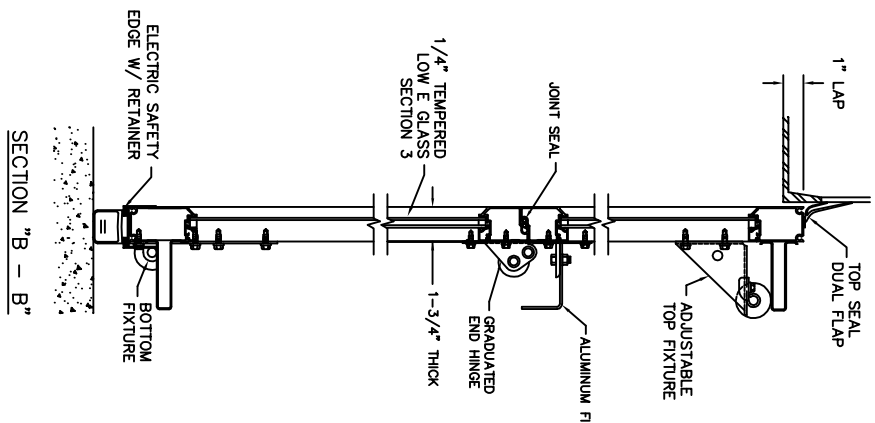
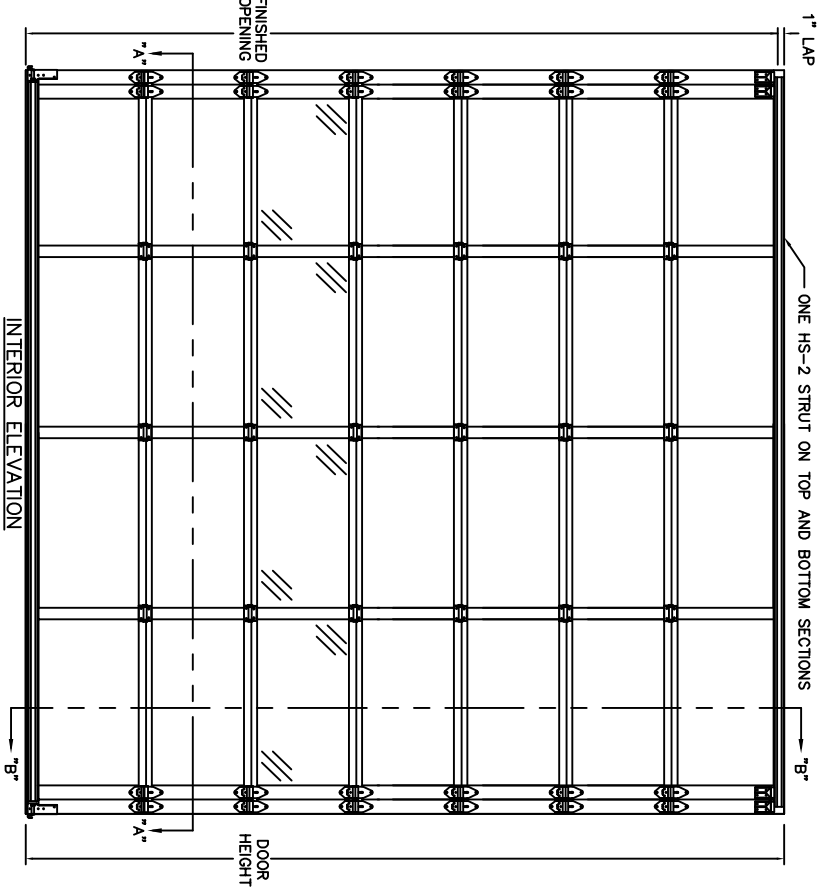
OPERATION
Operation will be by electric operator.

DEFLECTION
Deflection of door in the horizontal position will not exceed 1/120 of the door width.

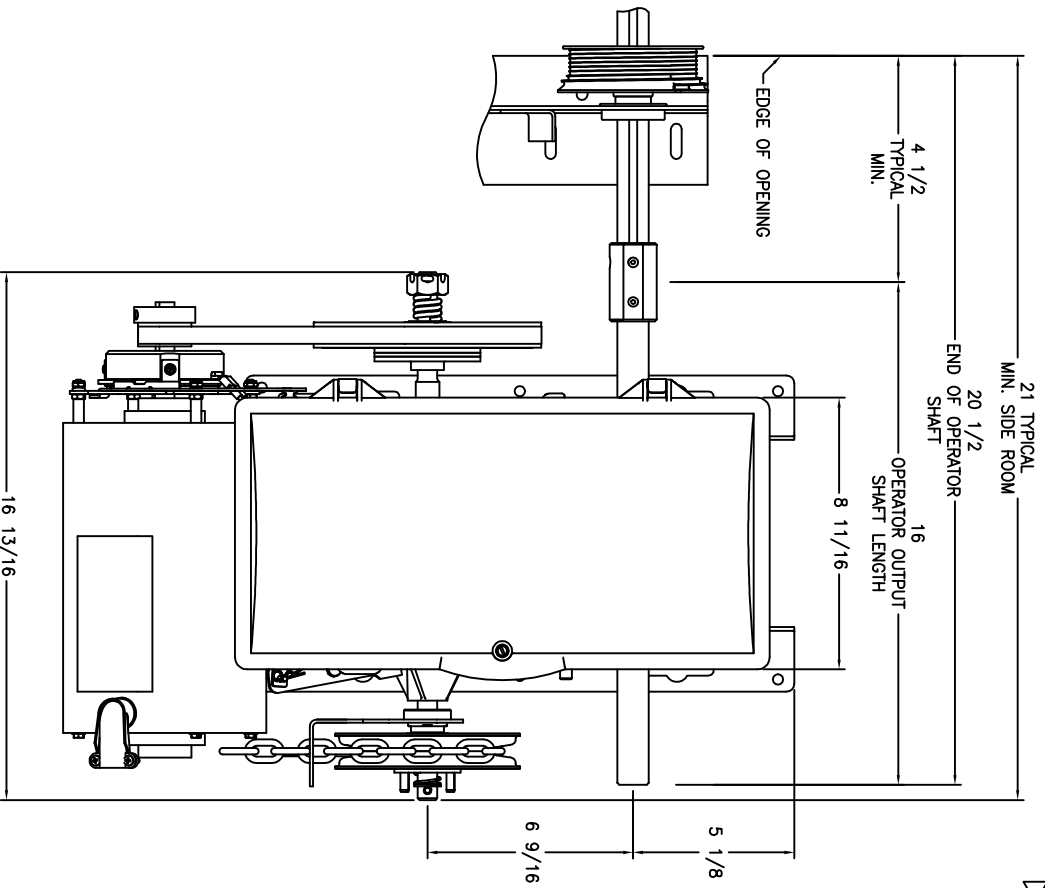
INSTALLATION
Install the doors in accordance with Overhead Door Corporation instructions and standards, using an authorized Overhead Door Corporation distributor.

PROJECT	521 SERIES, ALUMINUM DOORS
ARCHITECT	VICTORIA FIRE STATION
CONTRACTOR	BRW ARCHITECTS
DISTRIBUTOR	LAUGER COMPANIES
PLANT	O.D.C. OF SOUTH CENTRAL TEXAS NEBRASKA

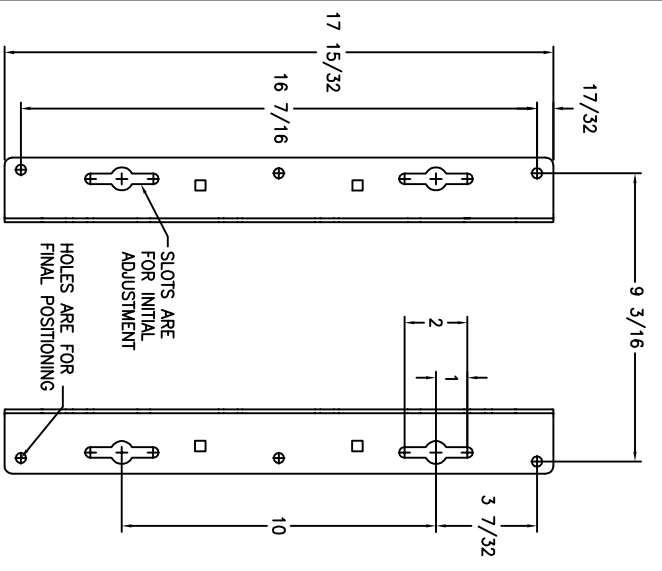
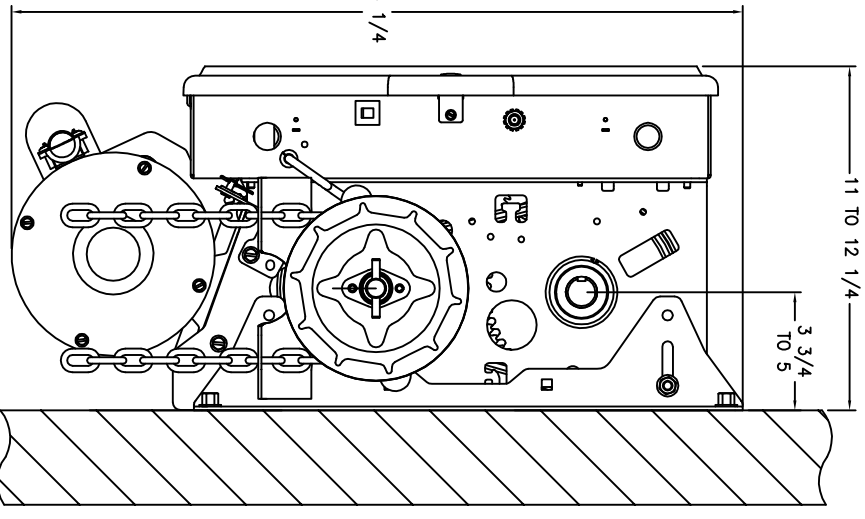
DWG. NO.	1014063	DATE:	11/10/14
SHEET	01 OF 03	BY:	NM



ARCHITECT DOOR NUMBER	OVERHEAD DOOR MARK	QTY	OPENING SIZE		DOOR SIZE		TRACK TYPE	LIFT TYPE	WEATHERSTRIP			SECTIONS HIGH	EXTERIOR COLOR	ADDED OPTIONS: (PER DOOR)
			WIDTH	HEIGHT	WIDTH	HEIGHT			JAMB	HEAD	BOT SEAL			
	"A"	3	14'-0"	14'-0"	14'-2"	14'-1"	3"-#9	STANDARD	X	X	X	7	CLEAR	1. SPRINGS DESIGNED FOR 50,000 CYCLES. 2. 1" SOLID SHAFT 3. WINDLOAD 26/-26 PER DRAWING 410224



- NOTES:
1. AVERAGE DOOR TRAVEL SPEED VARIES PER DRUM USED.
 2. PLEASE VERIFY VOLTAGE, PHASE & MOUNTING.
 3. ALL OPTIONS ARE AT ADDED COST.
 4. A CLEARANCE OF 6" SHOULD BE ALLOWED FOR ACCESS TO ELECTRIC BOX.
 5. CONTROL VOLTAGE IS A NEG CLASS 2 CIRCUIT.
 6. OPERATOR MOUNTING BRACKETS MOUNT TO WALL.



ARCHITECT DODD NUMBER	DVERHEAD DOOR MARK	QTY	OPENING SIZE		HP	VOLTS	PHASE	HERTZ
			WIDTH	HEIGHT				
	"A"	3	14'-0"	14'-0"	3/4	115	1	60

- NOTES
1. 3 BUTTON CONTROL STATION
 2. COMMERCIAL PHOTOEYES

PROJECT	RSX SIDE MOUNT OPERATOR
ARCHITECT	VICTORIA FIRE STATION
CONTRACTOR	BRW ARCHITECTS
DISTRIBUTOR	LAUGER COMPANIES
PLANT	O.D.C. OF SOUTH CENTRAL TEXAS
DWG. NO.	NEBRASKA
SHEET	1014063
	11/10/14
	DATE
	BY: NM
	03 OF 03



STANDARD SPECIFICATIONS

WORK INCLUDED
The doors will be Series 521 as manufactured by Overhead Door Corporation.

RELATED WORK
Opening preparation, miscellaneous or structural metal work, access panels, finish or field painting, field electrical wiring, wire, conduit, fuses and disconnect switches are in the Scope of Work of other divisions or trades.

SECTIONS
Sections will be comprised of 204R1 clear anodized rolls and stiles extruded from 6063-T6 aluminum to produce a door thickness of 1-3/4". Center stiles will be 2-5/8". End stiles will be 3-1/2". Top roll will be 3-3/4". Intermediate rails will be 3-3/4" per pair. Bottom roll will be 3-3/4". All stiles and rolls will be secured with 1/4" diameter through rods.

TRACK
Track is 3" standard and angle mounted.

HARDWARE
Hinges and fixtures will be galvanized steel. Full-flooring ball-bearing rollers will have hardened steel races. Roller sizes will be adequate for design requirements and limitations.

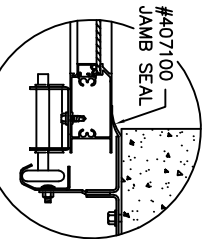
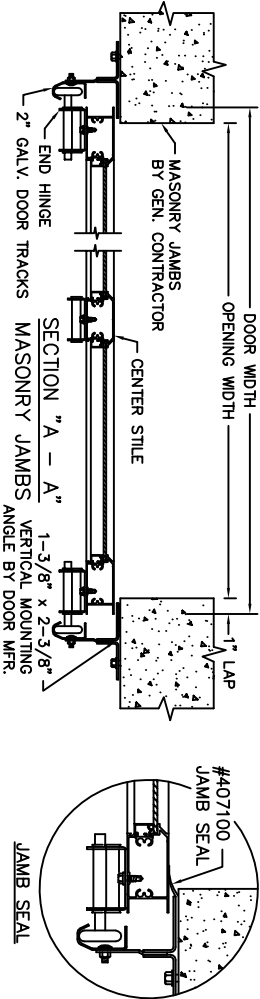
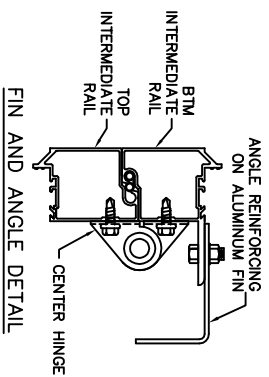
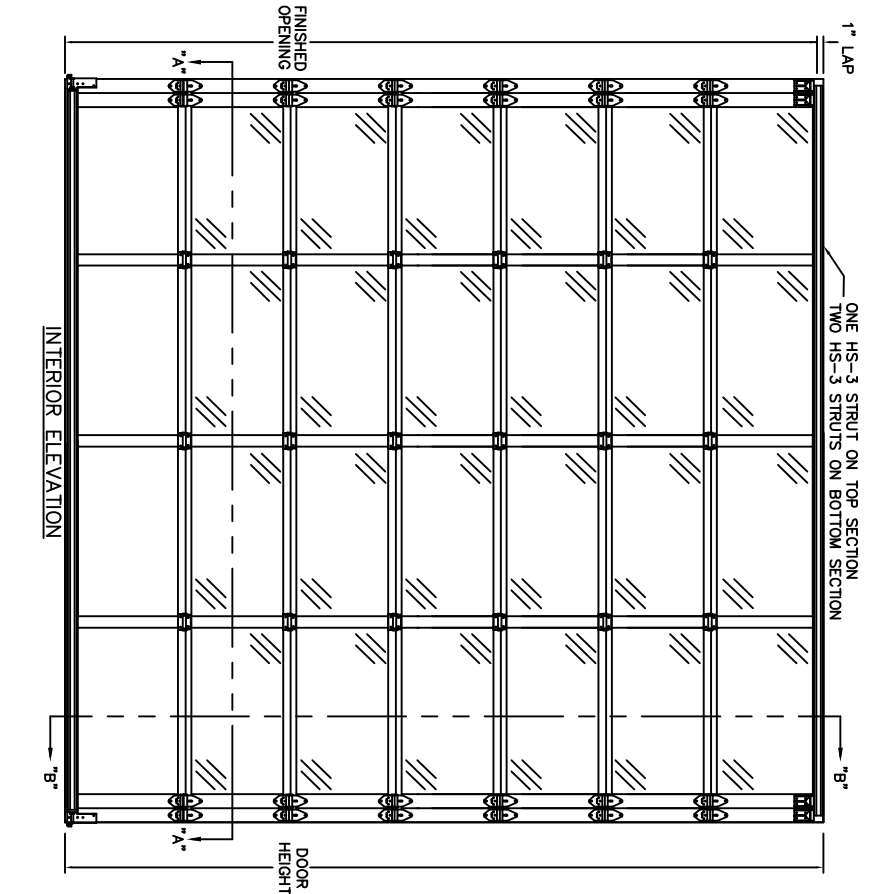
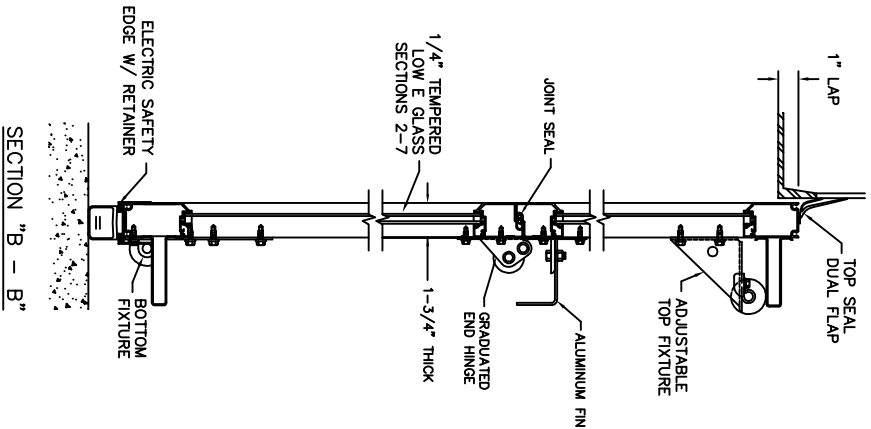
WEATHERSTRIP
Bottom weatherstrip will be flexible PVC.

GLASS
Glass sections will be glazed with 1/4" tempered low E glass, to be held in place with rigid aluminum moulding and backed with butyl tape.

OPERATION
Operation will be by electric operator.

DEFLECTION
Deflection of door in the horizontal position will not exceed 1/120 of the door width.

INSTALLATION
Install the doors in accordance with Overhead Door Corporation instructions and standards, using an authorized Overhead Door Corporation distributor.

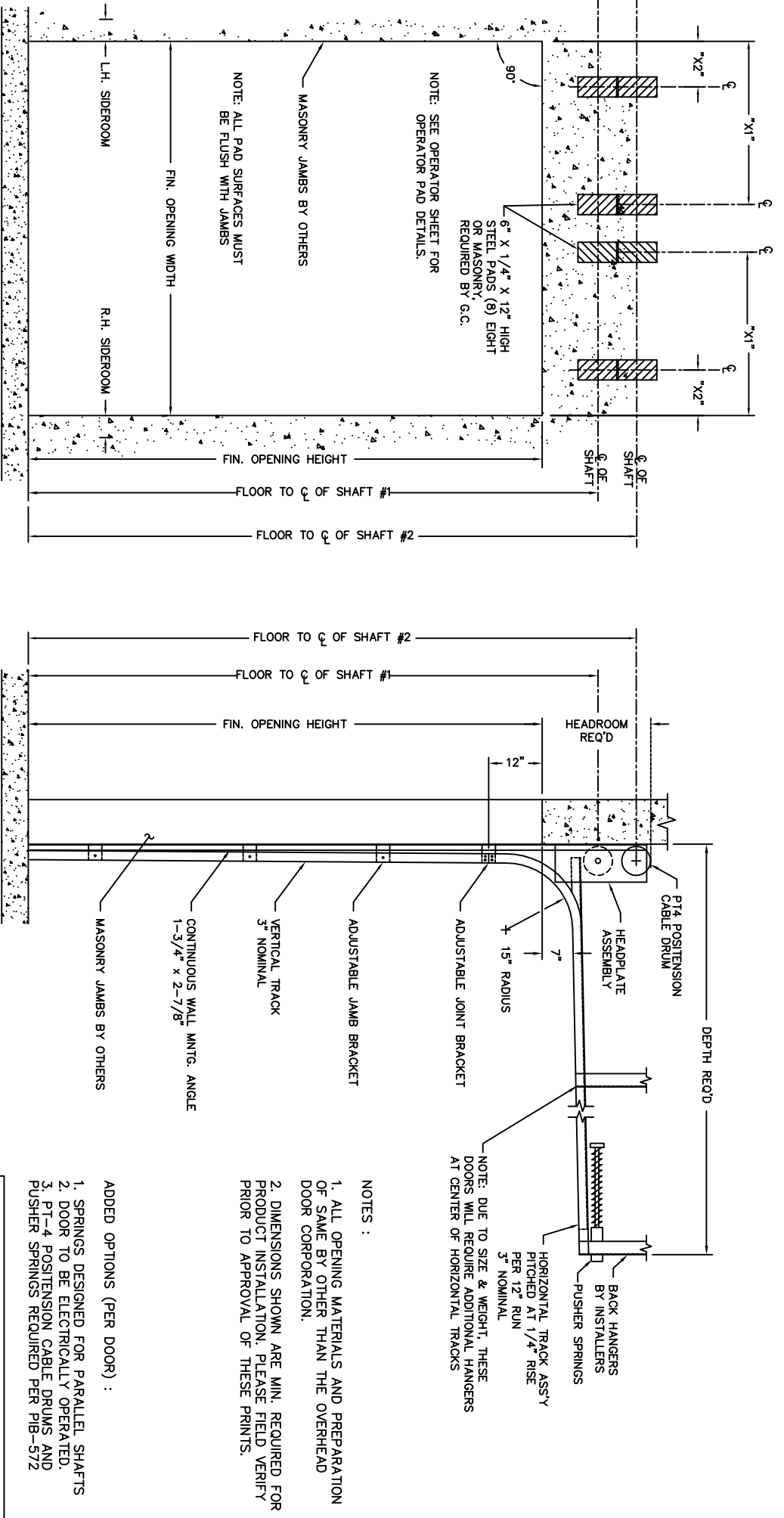


ARCHITECT DOOR NUMBER	OVERHEAD DOOR MARK	QTY	OPENING SIZE		DOOR SIZE		TRACK TYPE	LIFT TYPE	WEATHERSTRIP			SECTIONS HIGH	EXTERIOR COLOR	ADDED OPTIONS : (PER DOOR)
			WIDTH	HEIGHT	WIDTH	HEIGHT			JAMB	HEAD	SEAL			
	"A"	3	14'-0"	14'-0"	14'-2"	14'-1"	3"-#9	STANDARD	X	X	X	7	CLEAR	2. 1" SOLID SHAFT 3. WINDLOAD 26/-26 PER DRAWING 410224

DWG. NO.	DATE
1014062	11/10/14
SHEET	BY:
01 OF 03	NM



521 SERIES, ALUMINUM DOORS
VICTORIA FIRE STATION
ARCHITECT BRW ARCHITECTS
CONTRACTOR LAUGER COMPANIES
DISTRIBUTOR O.D.C. OF SOUTH CENTRAL TEXAS
PLANT NEBRASKA



NOTE: SEE OPERATOR SHEET FOR OPERATOR PAD DETAILS.

6" X 1/4" X 12" HIGH STEEL PADS (8) EIGHT OR MASONRY, REQUIRED BY G.C.

NOTE: ALL PAD SURFACES MUST BE FLUSH WITH JAMBS

INTERIOR ELEVATION

SIDE VIEW OF MOUNTED TRACK

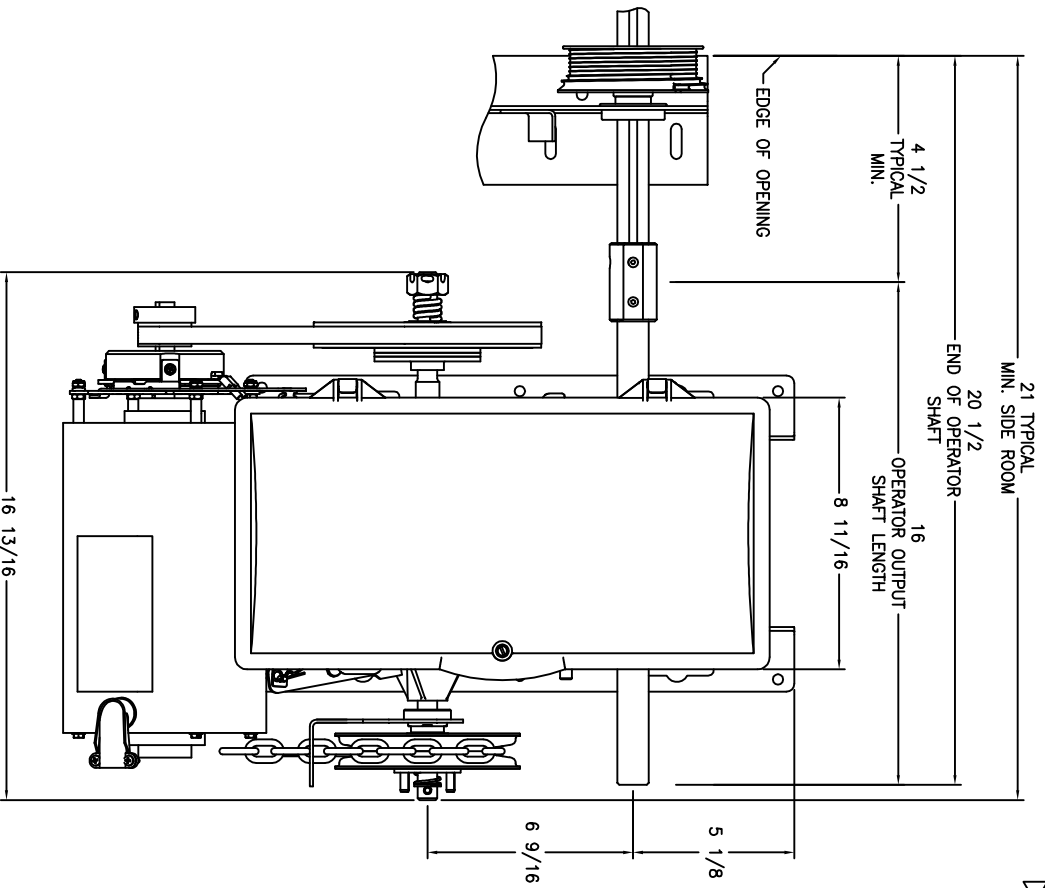
NOTES :

1. ALL OPENING MATERIALS AND PREPARATION OF SAME BY OTHER THAN THE OVERHEAD DOOR CORPORATION.
2. DIMENSIONS SHOWN ARE MIN. REQUIRED FOR PRODUCT INSTALLATION. PLEASE FIELD VERIFY PRIOR TO APPROVAL OF THESE PRINTS.

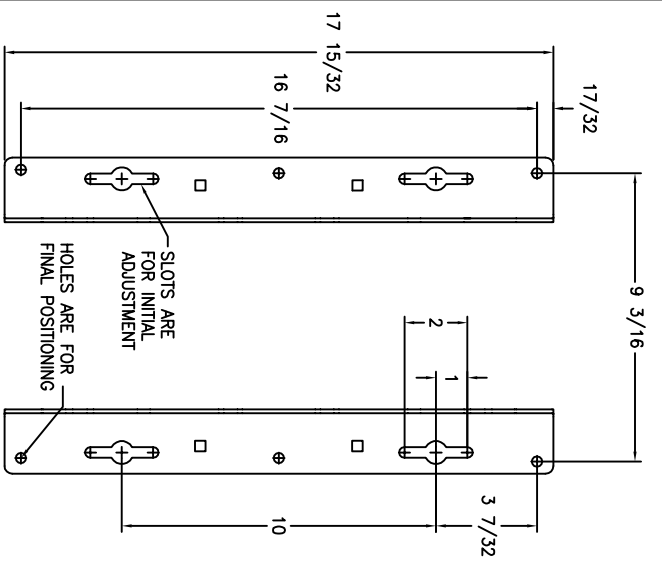
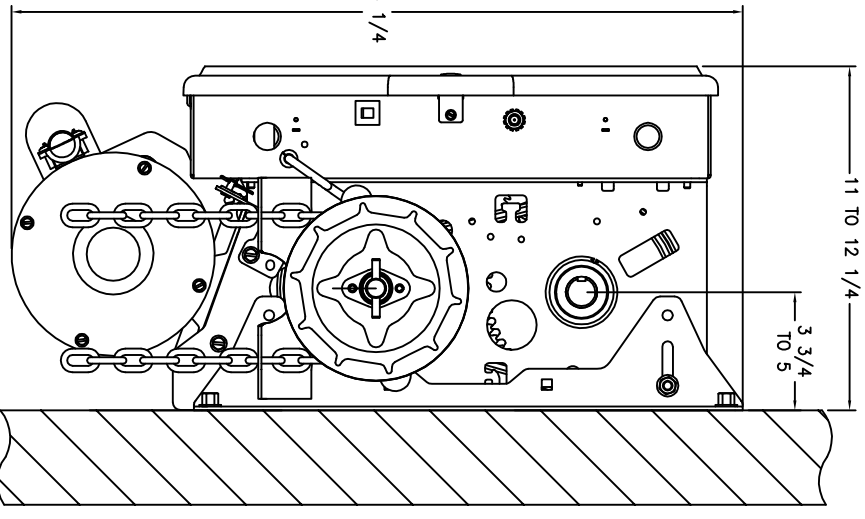
ADDED OPTIONS (PER DOOR) :

1. SPRINGS DESIGNED FOR PARALLEL SHAFTS
2. DOOR TO BE ELECTRICALLY OPERATED.
3. PT-4 POSITIONING CABLE DRUMS AND PUSHER SPRINGS REQUIRED PER PIB-572

ARCHITECT DOOR NUMBER	OVERHEAD DOOR MARK	QTY	OPENING SIZE WIDTH	OPENING SIZE HEIGHT	TRACK TYPE	OPERATION	LIFT CLEARANCE	SHAFT CENTERLINE #1	SHAFT CENTERLINE #2	"X1" SPRING PAD #1	"X2" SPRING PAD #2	HEADROOM REQUIRED	DEPTH REQUIRED	LEFT HAND SIDEROOM	RIGHT HAND SIDEROOM	
	"A"	3	14'-0"	14'-0"	3" #9	ELECTRIC	7" (STD)	15'-2 5/8"	16'-2 5/8"	6'-6"	1'-6"	30"	15'-6"	7"	21"	
<p>PROJECT: VICTORIA FIRE STATION ARCHITECT: BRW ARCHITECTS CONTRACTOR: LAUGER COMPANIES DISTRIBUTOR: O.D.C. OF SOUTH CENTRAL TEXAS PLANT: NEBRASKA</p> <p>DWG. NO.: 1014062 DATE: 11/10/14</p> <p>SHEET: 02 OF 03 BY: NM</p> <p>STANDARD LIFT TRACK</p> <p>The Genuine The Original OVERHEAD DOOR</p>																



- NOTES:
1. AVERAGE DOOR TRAVEL SPEED VARIES PER DRUM USED.
 2. PLEASE VERIFY VOLTAGE, PHASE & MOUNTING.
 3. ALL OPTIONS ARE AT ADDED COST.
 4. A CLEARANCE OF 6" SHOULD BE ALLOWED FOR ACCESS TO ELECTRIC BOX.
 5. CONTROL VOLTAGE IS A NEG CLASS 2 CIRCUIT.
 6. OPERATOR MOUNTING BRACKETS MOUNT TO WALL.



MOUNTING BRACKETS

ARCHITECT DODGE NUMBER	DVERHEAD DOOR MARK	QTY	OPENING SIZE		HP	VOLTS	PHASE	HERTZ
			WIDTH	HEIGHT				
	"A"	3	14'-0"	14'-0"	3/4	115	1	60

- NOTES
1. 3 BUTTON CONTROL STATION
 2. COMMERCIAL PHOTOEYES

PROJECT	RSX SIDE MOUNT OPERATOR
ARCHITECT	VICTORIA FIRE STATION
CONTRACTOR	BRW ARCHITECTS
DISTRIBUTOR	LAUGER COMPANIES
PLANT	O.D.C. OF SOUTH CENTRAL TEXAS
DWG. NO.	NEBRASKA
SHEET	1014062
	11/10/14
	DATE
	BY: NM
	03 OF 03



Coiling Doors

SECTION 08330
OVERHEAD COILING DOORS

PART 1 PRODUCTS

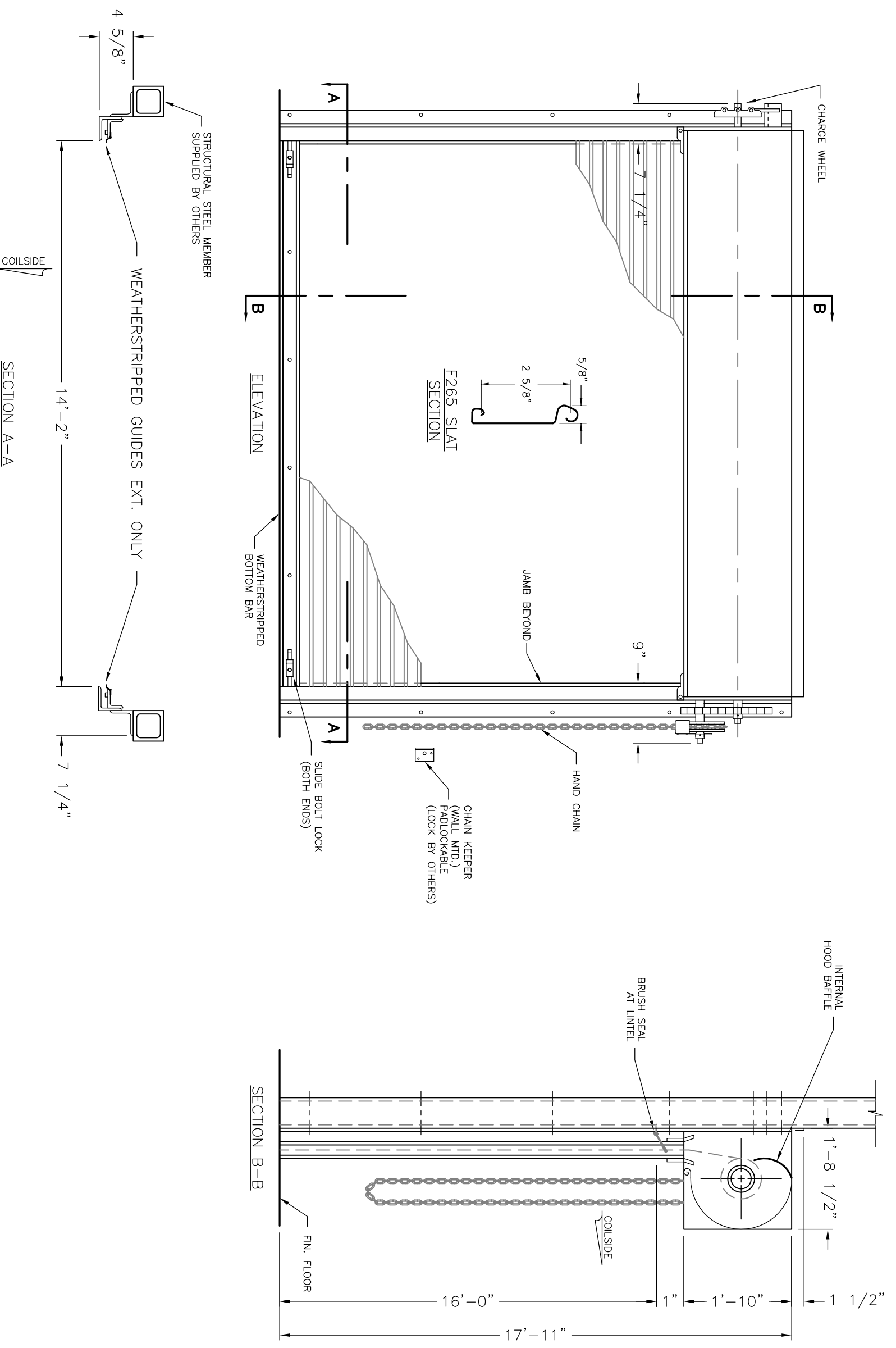
1.1 MANUFACTURERS

- A. Manufacturer: Overhead Door Corporation, which is located at: 2501 S. State Highway 121 Bus. Suite 200 ; Lewisville, TX 75067; Toll Free Tel: 800-929-3667; Tel: 469-549-7100; Fax: 972-906-1499; Email:[request info \(ali_isham@overheaddoor.com\)](mailto:request info (ali_isham@overheaddoor.com));
Web:www.overheaddoor.com

1.2 OVERHEAD COILING SERVICE DOORS

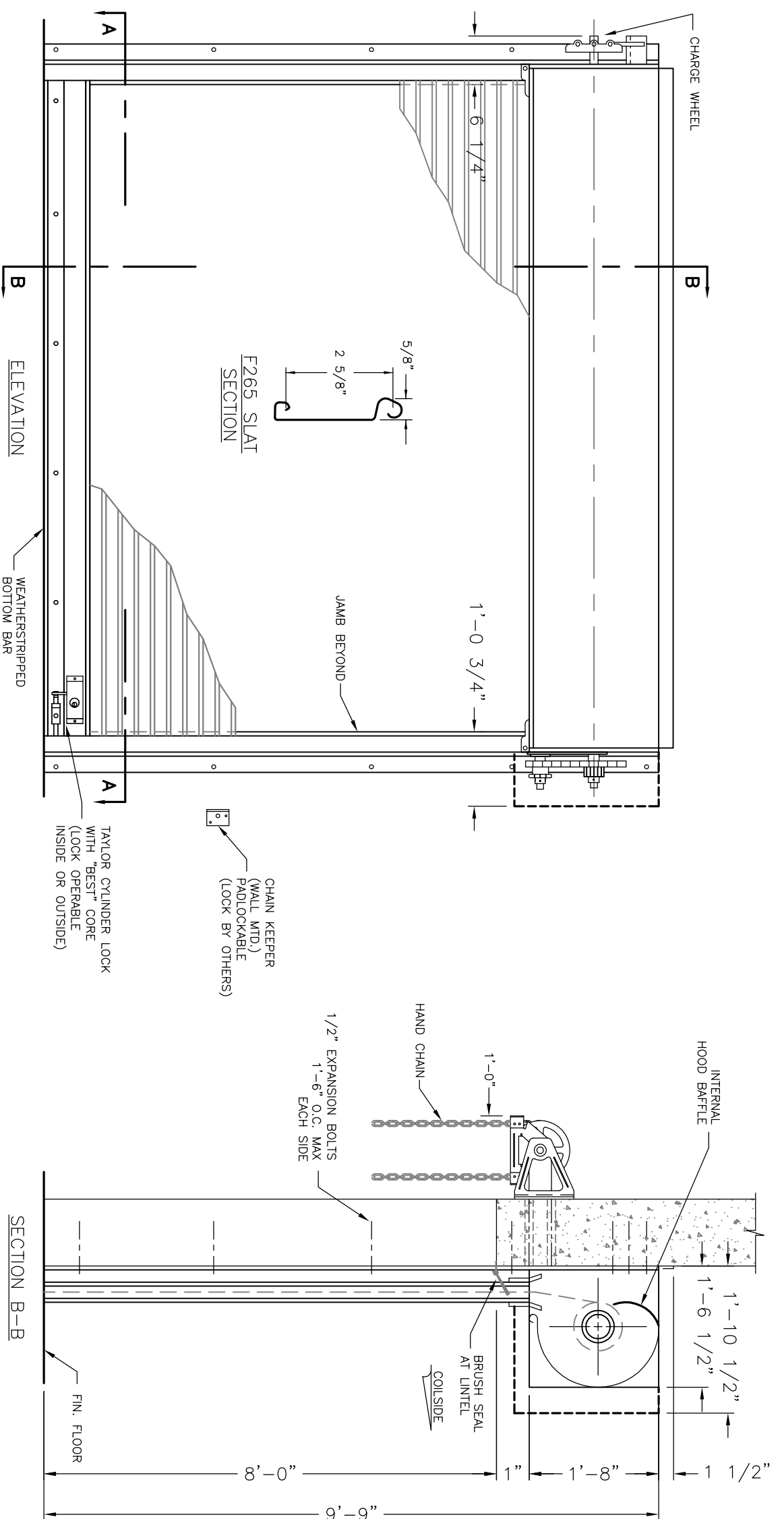
- A. Heavy Duty Industrial Doors: Overhead Door Corporation, 620 Series Stormtite Service Doors.
1. Curtain: Interlocking roll-formed slats as specified following. Endlocks shall be attached to each end of alternate slats to prevent lateral movement.
 - a. Flat profile type F-265 for doors up to 18 feet 4 inches (5.59 m) wide, fabricated of:
 - 1) 20 gauge galvanized steel.
 2. Finish:
 - a. Galvanized Steel: Slats and hood galvanized in accordance with ASTM A 653 and receive rust-inhibitive, roll coating process, including 0.2 mils thick baked-on prime paint, and 0.6 mils thick baked-on polyester top coat.
 - 1) Non-galvanized exposed ferrous surfaces shall receive one coat of rust-inhibitive primer.
 3. Weatherseals:
 - a. Vinyl bottom seal, exterior guide and internal hood seals.
 - b. Lintel weatherseal.
 4. Bottom Bar:
 - a. Two primed steel angles for doors over 15 feet 4 inches (4.67 m) wide.
 5. Guides: Three structural steel angles.
 - a. Finish: PowderGuard Weathered finish with iron/black powder.
 6. Brackets:
 - a. Galvanized steel to support counterbalance, curtain and hood.
 7. Counterbalance: Helical torsion spring type housed in a steel tube or pipe barrel, supporting the curtain with deflection limited to 0.03 inch per foot of span. Counterbalance is adjustable by means of an adjusting tension wheel.
 8. Hood: Provide with internal hood baffle weatherseal.
 - a. 24 gauge galvanized steel with intermediate supports as required.
 9. Manual Operation:
 - a. Chain hoist for doors over 96 SF.
 10. Windload Design:
 - a. Standard windload shall be 36 PSF.
 11. Locking:
 - a. Two interior bottom bar slide bolts for manually operated doors.
 12. Wall Mounting Condition:
 - a. Face-of-wall mounting.

SPECIFICATIONS	
DOOR MARK	ITEM "A"
QUANTITY	SIX
WIDTH	14'-2"
HEIGHT	16'-0"
OPERATION	RIGHT HAND, CAST GEAR CHAIN HOIST
MOUNT	INTERIOR, FACE OF WALL
ENDLOCKS	SEE WINDLOCKS
WINDLOAD	36 P.S.F.
WINDLOCKS	ALTERNATE MALLEABLE IRON
MATERIAL	
CURTAIN	20 GA. GALVANIZED STEEL
HOOD	24 GA. GALVANIZED STEEL
GUIDES	STEEL k's
BOTTOM BAR	STEEL Δ's
FINISH	
FERREROUS SURFACES	POWDER COATED, STD BLACK
CURTAIN	BAKED ON GRAY POLYESTER TOP COAT
HOOD	BAKED ON GRAY POLYESTER TOP COAT



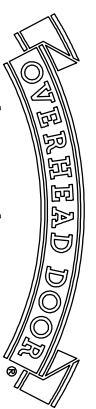
DISTRIBUTOR: OVERHEAD DOOR CO. OF S. CENTRAL TEXAS		P.O.#	
DATE	REVISION	SHEET NO. 1 OF 2	JOB NO.
		DR. BY T.H.	DATE: 11/10/14
		SCALE: N.T.S.	
<p>OVERHEAD DOOR CORPORATION 2501 S. STATE HWY 121, STE 200 LEWISVILLE, TX 75067</p>		DRAWING NO. D14-1360	SERIES 620
		<p>VICTORIA FIRE STATION #6 LAUGER COMPANIES BRW ARCHITECTS</p>	

SPECIFICATIONS	
DOOR MARK	ITEM "B"
QUANTITY	ONE
WIDTH	8'-2"
HEIGHT	8'-0"
OPERATION	RIGHT HAND, CAST GEAR CHAIN HOIST
MOUNT	INTERIOR, FACE OF WALL
ENDLOCKS	SEE WINDLOCKS
WINDLOAD	36 P.S.F.
WINDLOCKS	ALTERNATE MALLEABLE IRON
MATERIAL	
CURTAIN	20 GA. GALVANIZED STEEL
HOOD	24 GA. GALVANIZED STEEL
GUIDES	STEEL I's
BOTTOM BAR	STEEL A's
FINISH	
FERREROUS SURFACES	POWDER COATED, STD BLACK
CURTAIN	BAKED ON GRAY POLYESTER TOP COAT
HOOD	BAKED ON GRAY POLYESTER TOP COAT



DISTRIBUTOR: OVERHEAD DOOR CO. OF S. CENTRAL TEXAS P.O.# _____

DATE	REVISION	SHEET NO.	JOB NO.
		2 OF 2	
		DR. BY T.H.	DATE: 11/10/14
			SCALE: N.T.S.



VICTORIA FIRE STATION #6
LAUGER COMPANIES
BRW ARCHITECTS

DRAWING NO.	SERIES
D14-1360	620

OVERHEAD DOOR CORPORATION
2501 S. STATE HWY 121, STE 200
LEWISVILLE, TX 75067